

# One-Touch Fittings



## 规格/SPECIFICATION

工作介质/Fluids	洁净空气
最大使用压力/Max.Press	0.99MPa
保证耐压力/Certified Press	3MPa
工作温度/Fluids Temp	-0 ~ 60°C
密封/Seal	带密封膜

## 特性/CHARACTERISTIC

- 1、使用于各种规格的塑料气管；  
(聚氨酯管、尼龙管、软尼龙管、聚乙烯管)
- 2、能用于低真空 (10Torr)
- 3、当气管插入时，密封可靠，阻力小；
- 4、当气管拆下时，拆卸力低；
- 5、配管时间大幅度缩短；
- 6、可节省配管空间。

## 订购码/ORDERING NO.

PC

06

01

气管外径

04:  $\phi$ 4  
06:  $\phi$ 6  
08:  $\phi$ 8  
10:  $\phi$ 10  
12:  $\phi$ 12  
16:  $\phi$ 16

螺纹规格

M5:M5x0.8  
M6:M6x1.0  
01:Rc1/8  
02:Rc1/4  
03:Rc3/8  
04:Rc1/2



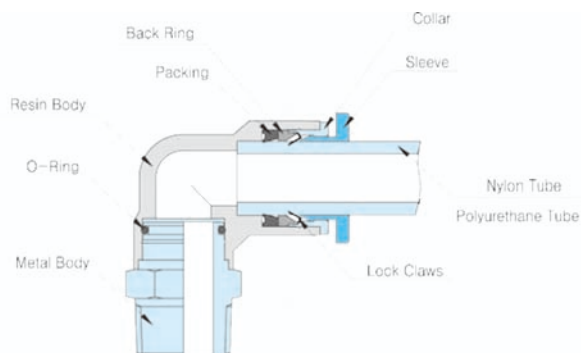
# One Touch Fittings

## 快速接头/One Touch Fittings

### 内部结构/Assembly Chart

#### One Touch Fittings

■ 快速接头



### 气管使用公差/ Air Using Tolerances

尺寸 (mm)	聚氨酯管	尼龙管
∅3	±0.1	±0.08
∅4	±0.1	±0.08
∅6	±0.12	±0.1
∅8	±0.12	±0.1
∅10	±0.15	±0.12
∅12	±0.15	±0.12

### 安装扭矩/ Mounting Torque

螺纹种类	聚氨酯管	尼龙管
小型螺纹	M3	7
	M5	15~19
	M6	20~27
Rc (PT) 螺纹	1/8	70~90
	1/4	120~140
	3/8	220~240
	1/2	280~300



### 快速接头系列/One Touch Fittings

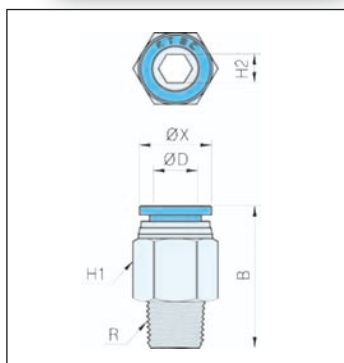
	<b>PC series</b> 螺纹直通二通 ▶ D-09		<b>POC series</b> 螺纹直通二通 ▶ D-09		<b>PL series</b> L型螺纹二通 ▶ D-10
	<b>PCF series</b> 内螺纹直通二通 ▶ D-10		<b>PMF series</b> 直通内牙穿板二通 ▶ D-11		<b>PMM series</b> 隔板直通二通 ▶ D-11
	<b>PH series</b> 六角肘节二通 ▶ D-12		<b>PLL series</b> L型加长螺纹二通 ▶ D-12		<b>PLF series</b> L型内螺纹二通 ▶ D-13
	<b>PUC series</b> 直通二通 ▶ D-13		<b>PUL series</b> L型二通 ▶ D-14		<b>PG series</b> 减径直通二通 ▶ D-14
	<b>PGJ series</b> 减径直通接头 ▶ D-15		<b>PLJ series</b> L型减径直通接头 ▶ D-15		<b>PP series</b> 管塞 ▶ D-16
	<b>PT series</b> T型螺纹三通 ▶ D-16		<b>PST series</b> T型分支螺纹三通 ▶ D-17		<b>PWT series</b> Y型螺纹三通 ▶ D-17
	<b>PY series</b> Y型三通 ▶ D-18		<b>PYJ series</b> 插入型Y型三通 ▶ D-18		<b>PUG series</b> T型减径三通 ▶ D-19
	<b>PW series</b> Y型减径三通 ▶ D-19		<b>PWJ series</b> 插入型减径三通 ▶ D-20		<b>PZA series</b> 十字四通 ▶ D-20
	<b>PKG series</b> 五通 ▶ D-21		<b>PKJ series</b> 插入型五通 ▶ D-21		<b>PKD series</b> 螺纹五通 ▶ D-22

气动辅助元件



### PC series

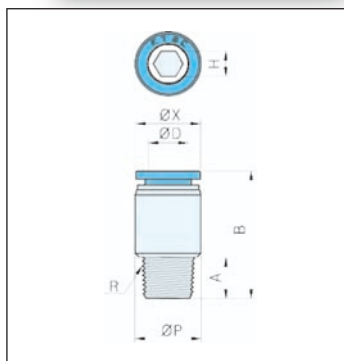
螺纹直通二通



型号	∅D	R (Thread)	B	H1	H2	∅X	Q'TY/BOX
PC04M5	4	M5	20	10	2	10	100
PC0401		Rc1/8	20	10	3	10	100
PC0402		Rc1/4	17.7	14	3	10	100
PC06M5	6	M5	20	12	2	12	100
PC0601		Rc1/8	20.6	12	4	12	100
PC0602		Rc1/4	22.2	14	4	12	100
PC0603		Rc3/8	20	17	4	12	100
PC0604	Rc1/2	24	21	4	12	50	
PC0801	8	Rc1/8	27.2	14	4	14	100
PC0802		Rc1/4	25	14	6	14	100
PC0803		Rc3/8	24.7	17	6	14	100
PC0804		Rc1/2	27.3	21	6	14	50
PC1001	10	Rc1/8	28.8	17	4	17	100
PC1002		Rc1/4	30.3	17	6	17	100
PC1003		Rc3/8	28	17	8	17	100
PC1004		Rc1/2	25.7	21	8	17	50
PC1202	12	Rc1/4	31	19	6	20	50
PC1203		Rc3/8	28	19	8	20	50
PC1204		Rc1/2	32	21	8	20	50

### POC series

螺纹直通二通



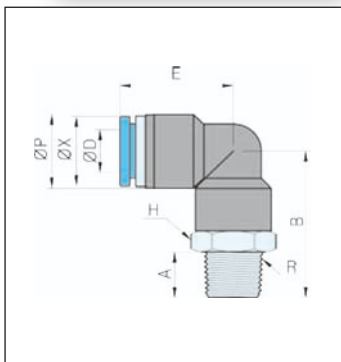
型号	∅D	R (Thread)	∅P	A	B	H	∅X	Q'TY/BOX
POC04M5	4	M5	10	5	20	2	10	100
POC0401		Rc1/8	10	7	20	3	10	100
POC0402		Rc1/4	14	9	17.1	3	10	100
POC06M5	6	M5	12	5	21	2	12	100
POC0601		Rc1/8	12	7	21	4	12	100
POC0602		Rc1/4	14	9	22	4	12	100
POC0603		Rc3/8	17	9	18.3	4	12	100
POC0604	Rc1/2	21	11.5	20.5	4	12	50	
POC0801	8	Rc1/8	14	7	25.3	5	14	100
POC0802		Rc1/4	14	8	24.3	6	14	100
POC0803		Rc3/8	17	9	21.9	6	14	100
POC0804		Rc1/2	21	11.5	21.9	6	14	50
POC1001	10	Rc1/8	17	7	28.8	5	17	100
POC1002		Rc1/4	17	8	30.2	6	17	100
POC1003		Rc3/8	17	9	28	8	17	100
POC1004		Rc1/2	21	11.5	25.2	8	17	50
POC1202	12	Rc1/4	19	9	31	6	20	50
POC1203		Rc3/8	19	10	28	8	20	50
POC1204		Rc1/2	21	11.5	31.8	8	20	50

# One Touch Fittings

快速接头/One Touch Fittings

## PL series

L型螺纹二通

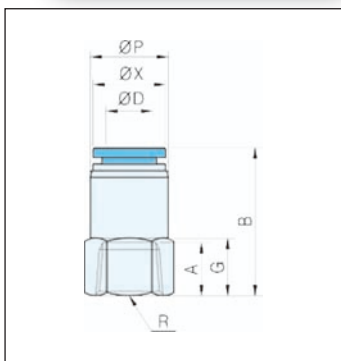


型号	øD	R (Thread)	øP	A	B	E	H	øX	Q'TY/BOX
PL04M5	4	M5	11	3.5	21	18.7	10	10	100
PL0401		Rc1/8	11	6.5	23.5	18.7	10	10	100
PL0402		Rc1/4	11	8	26.7	18.7	14	10	100
PL06M5	6	M5	13.1	3.5	23.2	20	12	12	100
PL0601		Rc1/8	13.1	7	24.4	20	12	12	100
PL0602		Rc1/4	13.1	9	28	20	14	12	100
PL0603		Rc3/8	13.1	9	28.5	20	17	12	50
PL0604	Rc1/2	13.1	12	32.5	20	21	12	50	
PL0801	8	Rc1/8	15.2	7.7	25	24	12	14	50
PL0802		Rc1/4	15.2	10	27	23.5	14	14	50
PL0803		Rc3/8	15.2	10.8	32	28	17	14	50
PL0804		Rc1/2	15.2	12	29.5	24	21	14	50
PL1001	10	Rc1/8	18.3	7	32	28	17	17	25
PL1002		Rc1/4	18.3	9	34	28	17	17	25
PL1003		Rc3/8	18.3	10	33	28	17	17	25
PL1004		Rc1/2	18.3	12	36.3	28	21	17	25
PL1202	12	Rc1/4	21	9	34.2	29.8	17	20	25
PL1203		Rc3/8	21	10	35.8	29.8	17	20	25
PL1204		Rc1/2	21	12	39	29.8	21	20	25



## PCF series

内螺纹直通二通

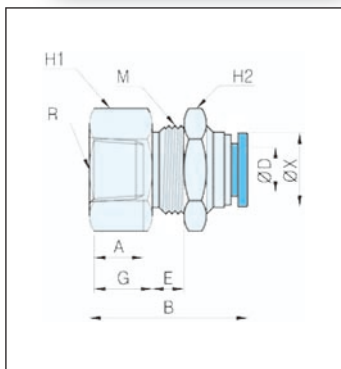
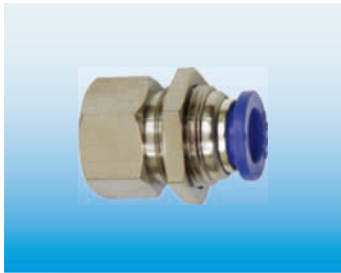


型号	øD	R (Thread)	øP	G	A	B	H	øX	Q'TY/BOX
PCF04M5	4	M5	10	5	6.5	21.5	10	10	100
PCF0401		Rc1/8	10	10	8.5	24	14	10	100
PCF0402		Rc1/4	10	13	11	26.5	17	10	100
PCF06M5	6	M5	12	6	6	20.5	12	12	100
PCF0601		Rc1/8	12	11	9	25	14	12	100
PCF0602		Rc1/4	12	13	11	27.2	17	12	100
PCF0603		Rc3/8	12	14	12	28.4	21	12	50
PCF0604	Rc1/2	12	16	14	30.4	24	12	50	
PCF0801	8	Rc1/8	14	10	9	26.3	14	14	100
PCF0802		Rc1/4	14	13	11	28.8	17	14	100
PCF0803		Rc3/8	14	14	12	29.7	21	14	50
PCF0804		Rc1/2	14	16	14	31.8	24	14	50
PCF1001	10	Rc1/8	17	10	9	29	17	17	50
PCF1002		Rc1/4	17	13	11	32.3	17	17	50
PCF1003		Rc3/8	17	14	12	33.5	21	17	50
PCF1004		Rc1/2	17	16	14	35.2	24	17	50
PCF1202	12	Rc1/4	20	20	11	33.8	21	20	50
PCF1203		Rc3/8	20	13	12	34.7	21	20	50
PCF1204		Rc1/2	20	16	14	36.4	24	20	25



### PMF series

直通内牙穿板二通



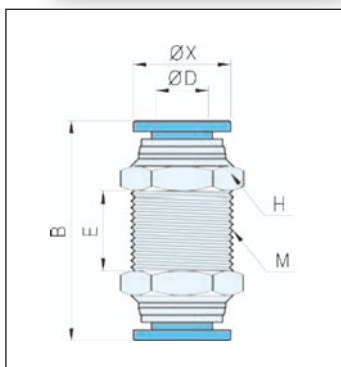
型号	$\phi D$	R (Thread)	M	G	A	B	E	H1	H2	$\phi X$	Q'TY/BOX
PMF04M5	4	M5	M12	7.5	6.8	21.3	6.5	12	14	10	100
PMF0401		Rc1/8	M12	9.9	8.6	23.8	6.5	14	14	10	100
PMF0402		Rc1/4	M12	12.5	11	26.3	5.8	17	14	10	100
PMF06M5	6	M5	M14	6.7	6.7	21.3	5.5	14	17	12	100
PMF0601		Rc1/8	M14	10	8.3	24.8	5.8	14	17	12	100
PMF0602		Rc1/4	M14	13	11.1	27.3	5.8	17	17	12	100
PMF0603		Rc3/8	M14	14	12.4	28	5	21	17	12	50
PMF0604	Rc1/2	M14	16	13.9	30.1	5	24	17	12	25	
PMF0801	8	Rc1/8	M16	10	8.5	26.2	5.8	17	19	14	50
PMF0802		Rc1/4	M16	13	11	29	4.7	17	19	14	50
PMF0803		Rc3/8	M16	14	12	29.8	4.5	21	19	14	50
PMF0804		Rc1/2	M16	16.4	14.4	32.3	4.5	24	19	14	25
PMF1001	10	Rc1/8	M20	10	10	30	8.7	21	24	17	25
PMF1002		Rc1/4	M20	12.8	11	32.5	6.5	21	24	17	25
PMF1003		Rc3/8	M20	13.7	12	33.5	7.5	21	24	17	25
PMF1004		Rc1/2	M20	16.1	14.3	35.7	7.5	24	24	17	25
PMF1202	12	Rc1/4	M22	13.4	11.4	33.5	7	24	27	20	25
PMF1203		Rc3/8	M22	13	12.4	34.7	8.7	24	27	20	25
PMF1204		Rc1/2	M22	16.4	14.1	38	9.3	24	27	20	25



PMF

### PMM series

隔板直通二通



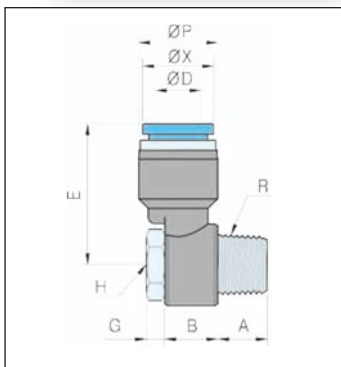
型号	$\phi D$	M	B	E	H	$\phi X$	Q'TY/BOX
PMM04	4	M12x1.0	30	13	14	10	100
PMM06	6	M14x1.0	31	13.5	17	12	100
PMM08	8	M16x1.0	35.2	14	19	14	50
PMM10	10	M20x1.0	41.7	16	24	17	50
PMM12	12	M22x1.0	44.6	20	27	20	25

# One Touch Fittings

## 快速接头/One Touch Fittings

### PH series

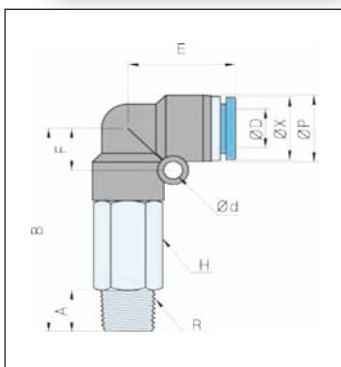
六角肘节二通



型号	∅D	R (Thread)	∅P	A	B	E	H	G	∅X	Q'TY/BOX
PH04M5	4	M5	11	4	9	22	8	3.5	10	50
PH0401		Rc1/8	11	7	12	22	12	3.5	10	50
PH0402		Rc1/4	11	9	11.8	24.4	14	4	10	50
PH06M5	6	M5	13	4	9	21.8	8	3.5	12	50
PH0601		Rc1/8	13	7	12	23	12	3.5	12	50
PH0602		Rc1/4	13	9	12	25.4	14	4	12	50
PH0603		Rc3/8	13	9	15.5	28.2	19	5	12	25
PH0604	Rc1/2	13	12	17.7	30	24	5	12	25	
PH0801	8	Rc1/8	15	7	12	25	12	3.5	14	50
PH0802		Rc1/4	15	10	11.8	29	14	4	14	50
PH0803		Rc3/8	15	10	15.5	29	19	5	14	25
PH0804		Rc1/2	15	12	17.7	32	24	6	14	25
PH1001	10	Rc1/8	18.5	7	11.8	30	12	3.5	17	50
PH1002		Rc1/4	18.5	9	11.8	32.5	14	4.5	17	50
PH1003		Rc3/8	18.5	9	15.5	33	19	5	17	25
PH1004		Rc1/2	18.5	12	17.7	35	24	5.8	17	25
PH1202	12	Rc1/4	21	9	11.8	33	14	4.5	20	50
PH1203		Rc3/8	21	9	15.5	35	19	5	20	25
PH1204		Rc1/2	21	12	17.7	36.5	24	6	20	20

### PLL series

L型加长螺纹二通



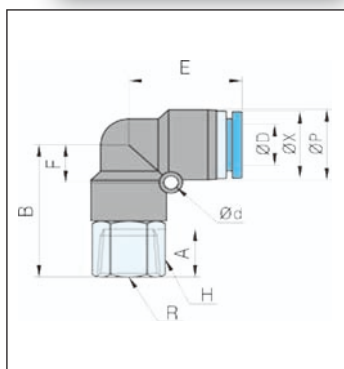
型号	∅D	R (Thread)	∅P	A	B	∅d	F	E	H	∅X	Q'TY/BOX
PLL04M5	4	M5	11.3	3.5	35.6	3.2	7.5	18.7	10	10	100
PLL0401		Rc1/8	11.3	7	37	3.2	7.5	18.7	10	10	50
PLL0402		Rc1/4	11.3	9	41	3.2	7.5	18.7	14	10	50
PLL06M5	6	M5	13.1	3.5	38.4	3.2	8.5	19	12	12	100
PLL0601		Rc1/8	13.1	7	40	3.2	8.5	19	12	12	50
PLL0602		Rc1/4	13.1	9	42.3	3.2	8.5	19	14	12	50
PLL0603		Rc3/8	13.1	10	43.9	3.2	8.5	19	17	12	50
PLL0604	Rc1/2	13.1	13	47.8	3.2	8.5	19	21	12	25	
PLL0801	8	Rc1/8	14.8	7.5	45	3.2	11.5	22.8	12	14	50
PLL0802		Rc1/4	14.8	9.2	47	3.2	11.5	22.8	14	14	50
PLL0803		Rc3/8	14.8	10	47	3.2	11.5	22.8	17	14	50
PLL0804		Rc1/2	14.8	13	52.6	3.2	11.5	22.8	21	14	25
PLL1001	10	Rc1/8	18.5	7.5	55	4.2	13	28	17	17	25
PLL1002		Rc1/4	18.5	9.6	57	4.2	13	28	17	17	25
PLL1003		Rc3/8	18.5	10.5	57.8	4.2	13	28	17	17	25
PLL1004		Rc1/2	18.5	13.5	62	4.2	13	28	21	17	20
PLL1202	12	Rc1/4	21.3	9.3	61.6	4.2	14	30	21	20	25
PLL1203		Rc3/8	21.3	10.1	61.8	4.2	14	30	21	20	20
PLL1204		Rc1/2	21.3	13	65.7	4.2	14	30	21	20	20



PH

### PLF series

L型内螺纹二通

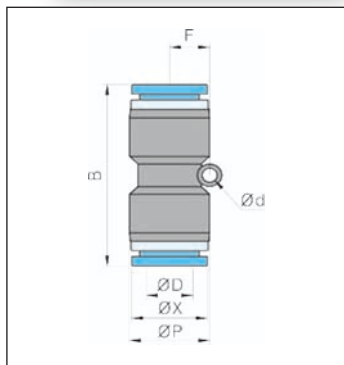


型号	øD	R (Thread)	øP	A	B	ød	F	E	H	øX	Q'TY/BOX
PLF04M5	4	M5	11.2	7	18	3.2	8	18.5	10	10	100
PLF0401		Rc1/8	11.2	8.5	25	3.2	8	18.5	14	10	100
PLF0402		Rc1/4	11.2	11	28.5	3.2	8	18.5	17	10	50
PLF06M5	6	M5	13.1	5	20	3.2	9	19.2	12	12	100
PLF0601		Rc1/8	13.1	8.5	26	3.2	9	19.2	14	12	100
PLF0602		Rc1/4	13.1	11	28	3.2	9	19.2	17	12	50
PLF0603		Rc3/8	13.1	12	29.5	3.2	9	19.2	21	12	50
PLF0604	Rc1/2	13.1	14.5	32	3.2	9	19.2	24	12	50	
PLF0801	8	Rc1/8	14.8	8.7	27	3.2	10	22.5	14	14	50
PLF0802		Rc1/4	14.8	8.7	27	3.2	10	22.5	14	14	50
PLF0803		Rc3/8	14.8	12	32	3.2	10	22.5	21	14	50
PLF0804		Rc1/2	14.8	14	35	3.2	10	22.5	24	14	25
PLF1001	10	Rc1/8	18.6	7	27	4.2	13	27.5	17	17	25
PLF1002		Rc1/4	18.6	11	35	4.2	13	27.5	17	17	25
PLF1003		Rc3/8	18.6	12	36	4.2	13	27.5	21	17	25
PLF1004		Rc1/2	18.6	14	39.5	4.2	13	27.5	24	17	25
PLF1202	12	Rc1/4	21.2	11.3	38	4.2	14	30	21	20	25
PLF1203		Rc3/8	21.2	12	39	4.2	14	30	21	20	25
PLF1204		Rc1/2	21.2	14	41.8	4.2	14	30	24	20	25



### PUC series

直通二通



型号	øD	øP	B	ød	F	øX	Q'TY/BOX
PUC04	4	11	33.5	4.2	6	10	100
PUC06	6	13	35.7	4.2	7.6	12	100
PUC08	8	14.6	39	4.2	7.6	14	100
PUC10	10	18.5	46	4.2	10	17	50
PUC12	12	21.2	48	4.2	10	20	25



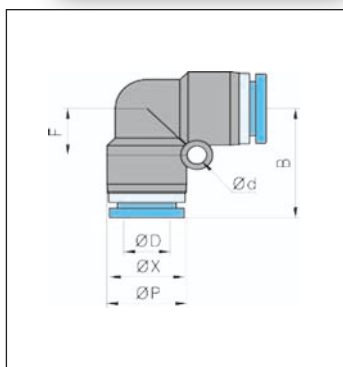


### PUL series

L型二通



型号	∅D	∅P	B	∅d	F	∅X	Q'TY/BOX
PUL04	4	11.2	19	3.2	7.5	10	100
PUL06	6	13	19.8	3.2	9.2	12	100
PUL08	8	14.7	23	3.2	10	14	50
PUL10	10	18.5	28.3	4.2	12.5	17	50
PUL12	12	21.2	30	4.2	14	20	25

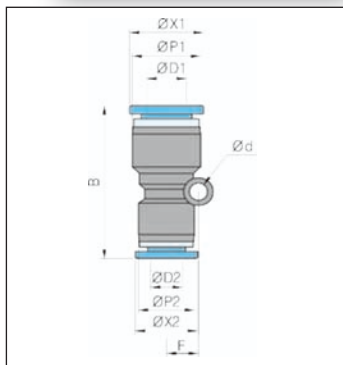


### PG series

减径直通二通

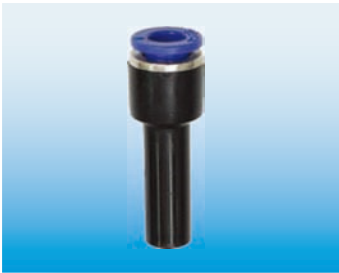


型号	∅D1	∅P1	B	F	∅D2	∅P2	∅d	∅X1	∅X2	Q'TY/BOX
PG0604	6	13	34.9	6.4	4	11	4.2	12	10	100
PG0806	8	14.7	36	8	6	13.2	4.2	14	12	100
PG1008	10	18.7	42.3	9.5	8	14.6	4.2	17	14	50
PG1210	12	21.2	46	9.5	10	18.5	4.2	20	17	25

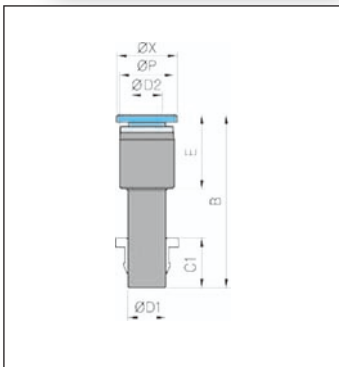


### PGJ series

减径直通



型号	∅D1	∅D2	∅P	B	C1	E	∅X	Q'TY/BOX
PGJ0604	6	4	10.8	35	15	15	10	100
PGJ0804	8	4	11.1	39	18.5	15	10	100
PGJ0806		6	12.8	36	18.5	14	12	100
PGJ1006	10	6	12.8	39.2	20	15	12	100
PGJ1008		8	14.6	42	21	19	14	100
PGJ1206	12	6	13.1	39.1	22.5	13	12	100
PGJ1208		8	14.6	45.2	22.5	19	14	100
PGJ1210		10	18.4	47.7	22.5	21	17	50

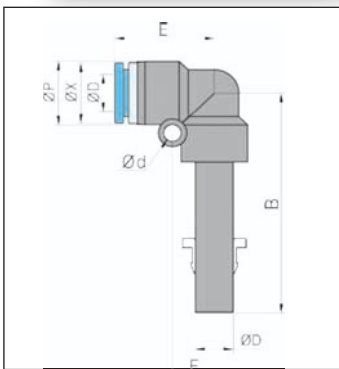


### PLJ series

L型减径直通



型号	∅D	∅P	B	F	E	∅d	∅X	Q'TY/BOX
PLJ04	4	11.1	35	7	19	3.2	10	100
PLJ06	6	13.1	36	9	19	3.2	12	100
PLJ08	8	14.6	43	10	23	3.2	14	50
PLJ10	10	18.6	49	12	28	4.2	17	25
PLJ12	12	21.2	53	14	30	4.2	20	25



# One Touch Fittings

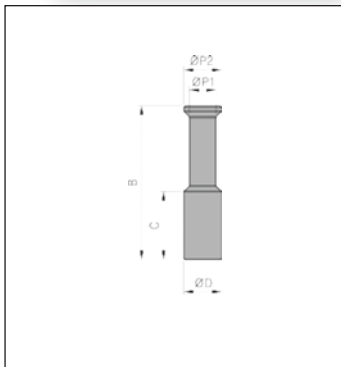
## 快速接头/One Touch Fittings

### PP series

管塞



型号	∅D	B	∅P1	∅P2	C	Q'TY/BOX
PP04	4	28	2.8	5	15.5	100
PP06	6	33	4.1	7	17	100
PP08	8	37	3.8	8.8	18.5	100
PP10	10	42	4.8	10.8	21	100
PP12	12	44	5.8	13.3	23	100

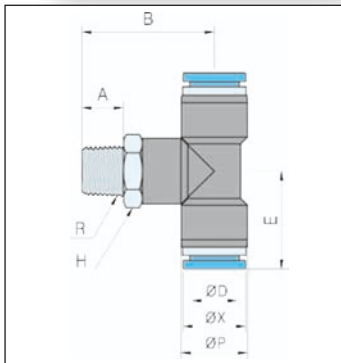


### PT series

T型螺纹三通

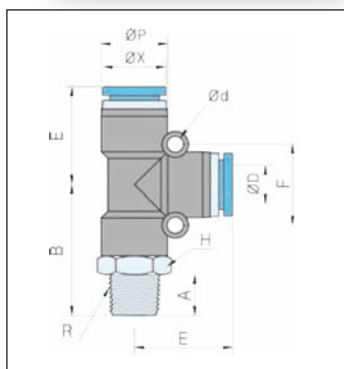


型号	∅D	R (Thread)	∅P	A	B	E	H	∅X	Q'TY/BOX
PT04M5	4	M5	11.2	3.5	21.3	18.5	10	10	100
PT0401		Rc1/8	11.2	7	23.1	18.5	10	10	100
PT0402		Rc1/4	11.2	9.1	27.2	18.5	14	10	100
PT0403		Rc1/4	11.2	10	28.6	18.5	17	10	50
PT06M5	6	M5	13.2	5	23.3	19	12	12	50
PT0601		Rc1/8	13.2	7.1	25	19	12	12	50
PT0602		Rc1/4	13.2	8.3	29	19	14	12	50
PT0603		Rc3/8	13.2	10	30	19	17	12	50
PT0604	Rc1/2	13.2	12	32.5	19	21	12	25	
PT0801	8	Rc1/8	14.6	7.1	25.5	21.4	12	14	50
PT0802		Rc1/4	14.6	9.1	29	21.4	14	14	50
PT0803		Rc3/8	14.6	10	30.5	21.4	17	14	50
PT0804		Rc1/2	14.6	13	33.7	21.4	21	14	25
PT1001	10	Rc1/8	18.5	6.7	32	27.2	17	17	25
PT1002		Rc1/4	18.5	9.1	34	27.2	17	17	25
PT1003		Rc3/8	18.5	10.3	34.5	27.2	17	17	25
PT1004		Rc1/2	18.5	11.4	39	27.2	21	17	25
PT1202	12	Rc1/4	21.3	7.6	34.2	28	17	20	25
PT1203		Rc3/8	21.3	10	36	28	17	20	25
PT1204		Rc1/2	21.3	13	39	28	21	20	20



### PST series

### T型分支螺纹三通



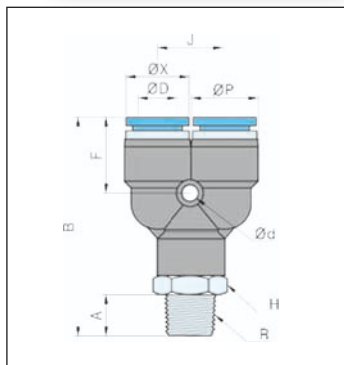
型号	ØD	R (Thread)	ØP	A	B	Ød	F	E	H	ØX	Q'TY/BOX
PST04M5	4	M5	11	4.6	21.1	3.2	14	18.5	10	10	100
PST0401		Rc1/8	11	7	24.3	3.2	14	18.5	10	10	50
PST0402		Rc1/4	11	8.5	27.3	3.2	14	18.5	14	10	50
PST06M5	6	M5	13.3	3.5	24	3.2	16	19	12	12	50
PST0601		Rc1/8	13.3	7	26	3.2	16	19	12	12	50
PST0602		Rc1/4	13.3	9	28.1	3.2	16	19	14	12	50
PST0603		Rc3/8	13.3	10	29.5	3.2	16	19	17	12	50
PST0604	Rc1/2	13.3	11	32.8	3.2	16	19	21	12	25	
PST0801	8	Rc1/8	14.9	7	29	3.2	18	22.3	14	14	50
PST0802		Rc1/4	14.9	9	31	3.2	18	22.3	14	14	50
PST0803		Rc3/8	14.9	10	32.7	3.2	18	22.3	17	14	50
PST0804		Rc1/2	14.9	12	35.9	3.2	18	22.3	21	14	25
PST1001	10	Rc1/8	18.6	7	34.5	4.2	24	28	17	17	25
PST1002		Rc1/4	18.6	9	36.2	4.2	24	28	17	17	25
PST1003		Rc3/8	18.6	10	37.4	4.2	24	28	17	17	25
PST1004		Rc1/2	18.6	13.5	40.6	4.2	24	28	21	17	25
PST1202	12	Rc1/4	21.3	9	39	4.2	27	29	21	20	20
PST1203		Rc3/8	21.3	10	39.5	4.2	27	29	21	20	20
PST1204		Rc1/2	21.3	13	42.2	4.2	27	29	21	20	20



PST

### PWT series

### Y型螺纹三通



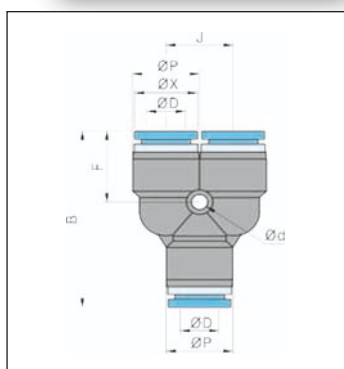
型号	ØD	R (Thread)	ØP	A	B	Ød	F	J	H	ØX	Q'TY/BOX
PWT04M5	4	M5	11.1	3.5	40	3.2	14	11	10	10	100
PWT0401		Rc1/8	11.1	7	42	3.2	14	11	10	10	100
PWT0402		Rc1/4	11.1	9	45	3.2	14	11	14	10	50
PWT06M5	6	M5	13.2	4.5	41	3.2	15	13	12	12	50
PWT0601		Rc1/8	13.2	7	44	3.2	15	13	12	12	50
PWT0602		Rc1/4	13.2	9	46	3.2	15	13	14	12	50
PWT0603		Rc3/8	13.2	9	48	3.2	15	13	17	12	50
PWT0604	Rc1/2	13.2	12	50	3.2	15	13	21	12	50	
PWT0801	8	Rc1/8	14.8	7	46.5	3.2	18		14	14	50
PWT0802		Rc1/4	14.8	9	48.5	3.2	18	15	14	14	50
PWT0803		Rc3/8	14.8	10	50.3	3.2	18	15	17	14	50
PWT0804		Rc1/2	14.8	12	53	3.2	18	15	21	14	25
PWT1001	10	Rc1/8	18.8	7	55.5	4.2	21	19	17	17	25
PWT1002		Rc1/4	18.8	8.8	58	4.2	21	19	17	17	25
PWT1003		Rc3/8	18.8	10	58.5	4.2	21	19	17	17	25
PWT1004		Rc1/2	18.8	12	62.2	4.2	21	19	21	17	25
PWT1202	12	Rc1/4	21.2	9	61.1	4.2	22	21	21	20	20
PWT1203		Rc3/8	21.2	10	62.3	4.2	22	21	21	20	20
PWT1204		Rc1/2	21.2	10	62.5	4.2	22	21	21	20	20

### PY series

Y型三通



型号	∅D	∅P	B	∅d	J	F	∅X	Q'TY/BOX
PY04	4	11.2	35.3	3.2	11	14	10	100
PY06	6	13.2	37	3.2	13	15	12	50
PY08	8	14.9	40	3.2	15	18.4	14	50
PY10	10	18.7	49	4.2	18	20.4	17	25
PY12	12	21.2	52	4.2	21	22	20	25

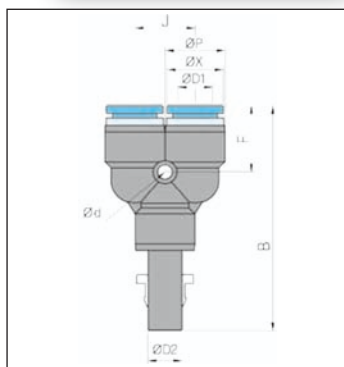


### PYJ series

插入型Y型三通



型号	∅D1	∅D2	∅P	B	∅d	J	F	∅X	Q'TY/BOX
PY04	4	4	11	50.7	3.2	11	14	10	100
PY06	6	6	13.3	54.2	3.2	13	15	12	50
PY08	8	8	14.8	60.6	3.2	14	18	14	50
PY10	10	10	18.6	70.8	4.2	19	21	17	25
PY12	12	12	21.2	76	4.2	21	21.5	20	25

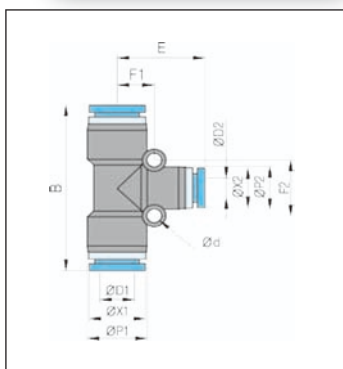


### PUG series

T型减径三通



型号	φD1	φD2	φP1	φP2	B	φd	E	F1	F2	φX1	φX2	Q'TY/BOX
PUG0604	6	4	13.2	13	38	3.2	19	7.6	16	12	10	50
PUG0806	8	6	14.8	14.3	45	3.2	23	9.8	18	14	12	50
PUG1008	10	8	18.6	18.3	56	4.2	27.9	12.9	24	17	14	25
PUG1210	12	10	21.2	21	58.5	4.2	29	13	27	20	17	20

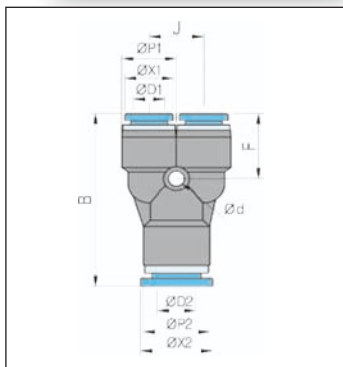


### PW series

Y型减径三通

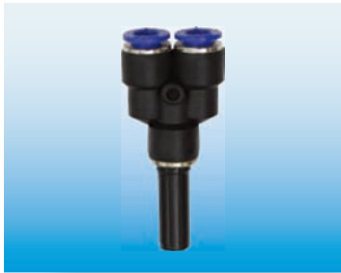


型号	φD1	φD2	φP1	φP2	B	φd	J	F	φX1	φX2	Q'TY/BOX
PW0604	4	6	13	13.3	36.8	3.2	13	15.2	10	12	50
PW0806	6	8	14.4	14.9	39.5	3.2	14	17.6	12	14	50
PW1008	8	10	18.3	18.7	49	4.2	18	20	14	17	25
PW1210	10	12	21	21.2	52.3	4.2	21	21	17	20	25

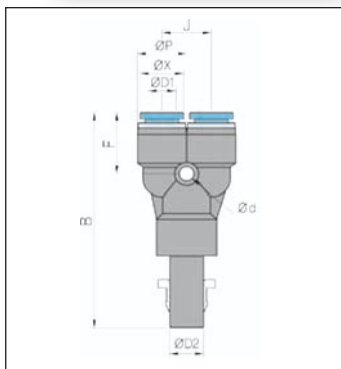


### PWJ series

插入型减径三通



型号	∅D1	∅D2	∅P	B	∅d	J	F	∅X	Q'TY/BOX
PWJ0604	4	6	11.2	53	3.2	11	14	10	50
PWJ0806	6	8	13.3	57	3.2	13	15	12	50
PWJ1008	8	10	14.8	62.3	3.2	15	18	14	50
PWJ1210	10	12	18.7	74	4.2	19	21	17	25



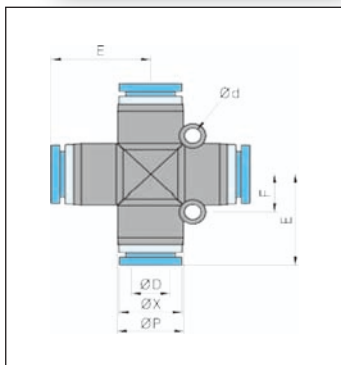
PWJ

### PZA series

十字四通



型号	∅D1	∅P	E	F	∅d	∅X	Q'TY/BOX
PZA04	4	11.3	18.4	7	3.2	10	50
PZA06	6	13.3	19	8	3.2	12	50
PZA08	8	14.9	22.5	9	3.2	14	25
PZA10	10	18.6	28.2	12	4.2	17	25
PZA12	12	21.2	29.3	13.4	4.2	20	15

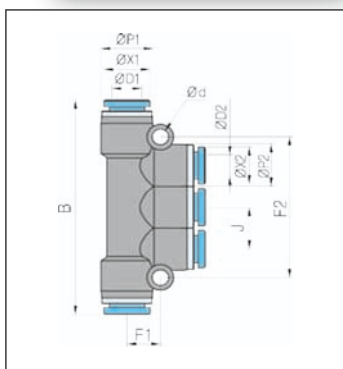


### PKG series

五通



型号	$\phi D1$	$\phi D2$	$\phi P1$	$\phi P2$	B	$\phi d$	J	F1	F2	$\phi X1$	$\phi X2$	Q'TY/BOX
PKG0604	6	4	14.4	13	60.7	3.2	13	9	41.6	12	10	25
PKG0806	8	6	14.8	13.2	62	3.2	13	9.7	42	14	12	25
PKG1008	10	8	18.5	14.8	82.2	4.2	14.6	11	48	17	14	20



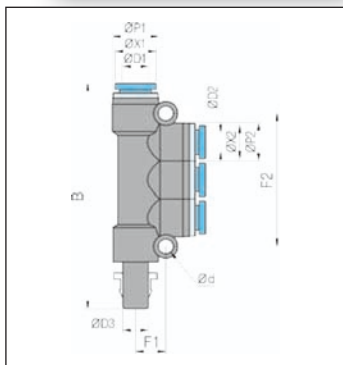
PKG

### PKJ series

插入型五通



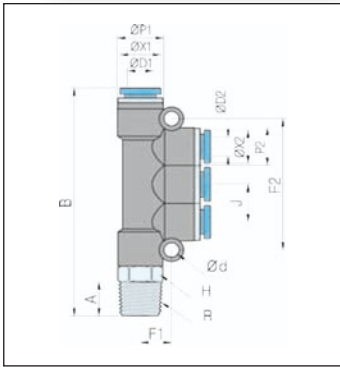
型号	$\phi D1$	$\phi D2$	$\phi D3$	$\phi P1$	$\phi P2$	B	$\phi d$	J	F1	F2	$\phi X1$	$\phi X2$	Q'TY/BOX
PKJ0604	4	4	6	14.4	13.1	78	3.2	12.5	9.5	41.5	10	10	25
PKJ0806	6	6	8	14.4	13.1	81.5	3.2	13	9.5	41.5	12	12	25
PKJ1008	8	8	10	18.2	14.8	102.3	4.2	15	11	48	14	14	20





## PKD series

螺纹五通



型号	ØD1	ØD2	R	B	F1	F2	J	Q'TY/BOX
PKD0604-01	6	4	Rc1/8	67.4	9	42	13.5	25
PKD0804-02	8	4	Rc1/4	70	9	42	13	25
PKD0806-02	8	6	Rc1/4	70	9	42	13.5	25
PKD0806-03	8	6	Rc3/8	72	10	42	13.5	25
PKD1008-03	10	8	Rc3/8	91.2	12	48	15	20

型号	ØP1	ØP2	A	H	Ød	ØX1	ØX2	Q'TY/BOX
PKD0604-01	14.5	13	7	12	3.2	12	10	25
PKD0804-02	14.8	13	9	14	3.2	14	10	25
PKD0806-02	14.8	13.2	9	14	3.2	14	12	25
PKD0806-03	14.8	13.2	9	17	3.2	14	12	25
PKD1008-03	18.6	15	9	17	4.2	17	14	20



PKD