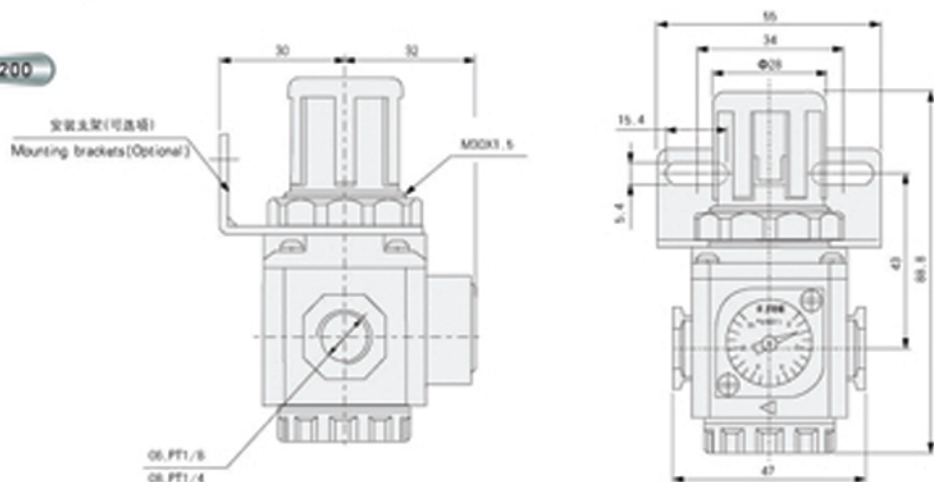


GR系列/SERIES

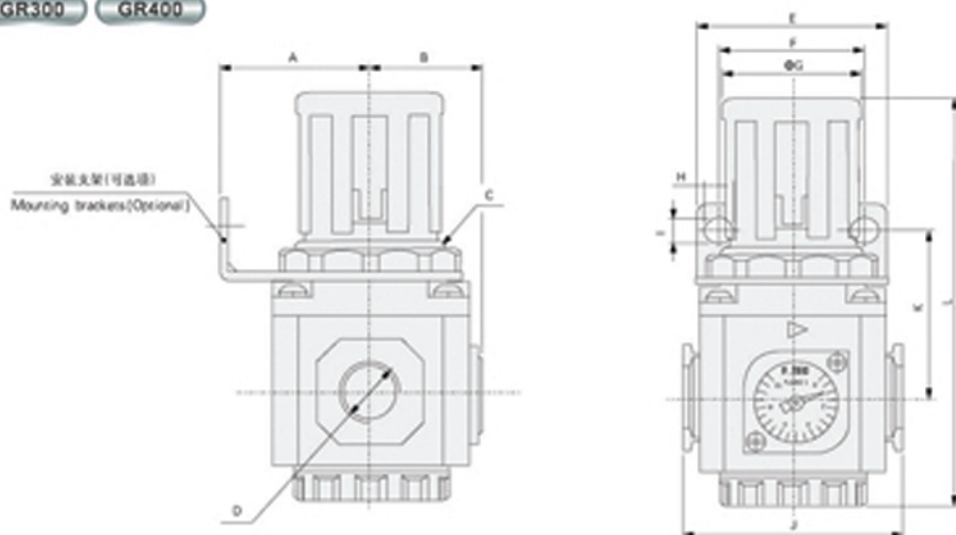
外部尺寸/Overall dimension

GR200



GR300

GR400



型号/符号(Model/Code)	A	B	C	D	E	F	G	H	I	J	K	L
GR 300-08	41	31	MOR3.5	PT1/4	53	40	38	8	6.5	60	46	112.5
GR 300-10	41	31	MOR3.5	PT3/8	53	40	38	8	6.5	60	46	112.5
GR 300-15	41	31	MOR3.5	PT1/2	53	40	38	8	6.5	60	46	112.5
GR 400-10	50	40	M6X2.0	PT3/8	72	55	52	11	8.5	80	53	140.5
GR 400-15	50	40	M6X2.0	PT1/2	72	55	52	11	8.5	80	53	140.5