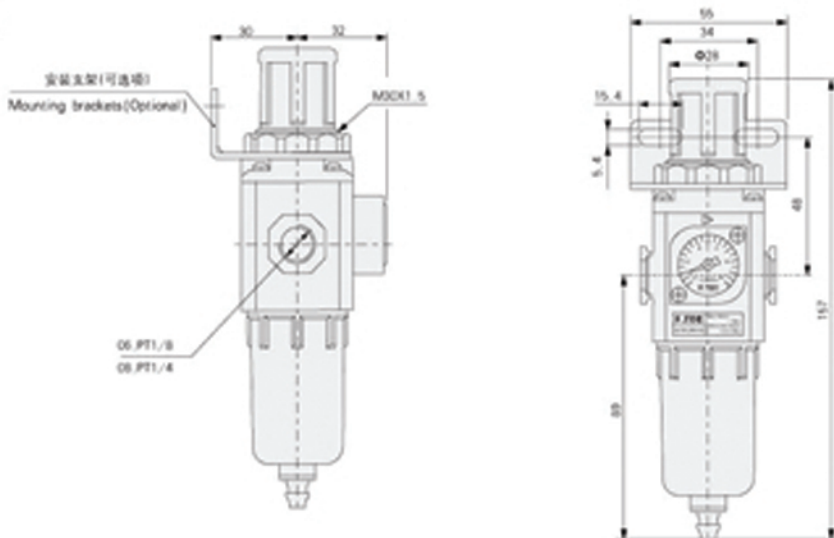


GFR系列/SERIES

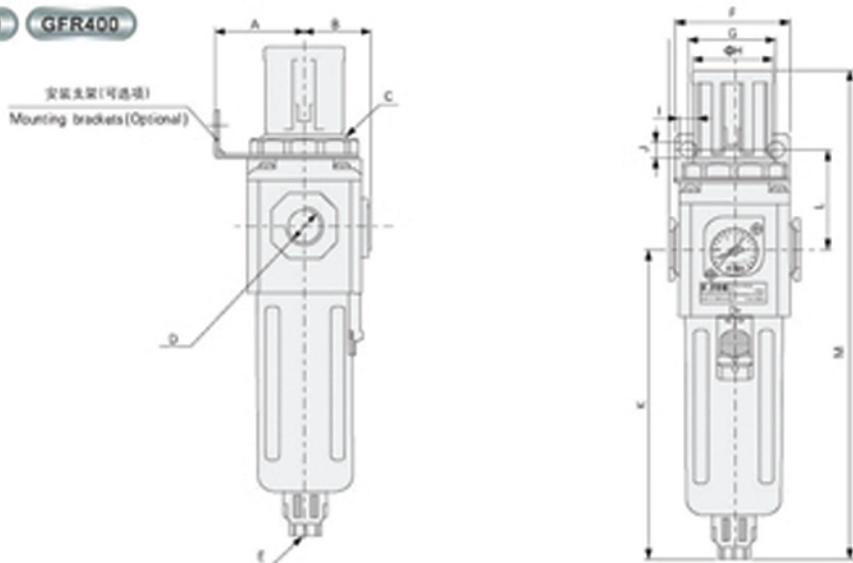
外部尺寸/Overall dimension

GFR200



GFR300

GFR400



| 型号/符号(Mo del./Code) | A | B | C | D | E | F | G | H | I | J | K | L | M |
|---------------------|----|----|---------|-------|-------|----|----|----|----|-----|-------|----|-------|
| GFR300-08 | 41 | 31 | M40X1.5 | PT1/4 | PS1/8 | 53 | 40 | 38 | 8 | 6.5 | 143 | 46 | 225.5 |
| GFR300-10 | 41 | 31 | M40X1.5 | PT3/8 | PS1/8 | 53 | 40 | 38 | 8 | 6.5 | 143 | 46 | 225.5 |
| GFR300-15 | 41 | 31 | M40X1.5 | PT1/2 | PS1/8 | 53 | 40 | 38 | 8 | 6.5 | 143 | 46 | 225.5 |
| GFR400-10 | 50 | 40 | M55X2.0 | PT3/8 | PS1/4 | 72 | 55 | 52 | 11 | 8.5 | 165.5 | 53 | 269.5 |
| GFR400-15 | 50 | 40 | M55X2.0 | PT1/2 | PS1/4 | 72 | 55 | 52 | 11 | 8.5 | 165.5 | 53 | 269.5 |