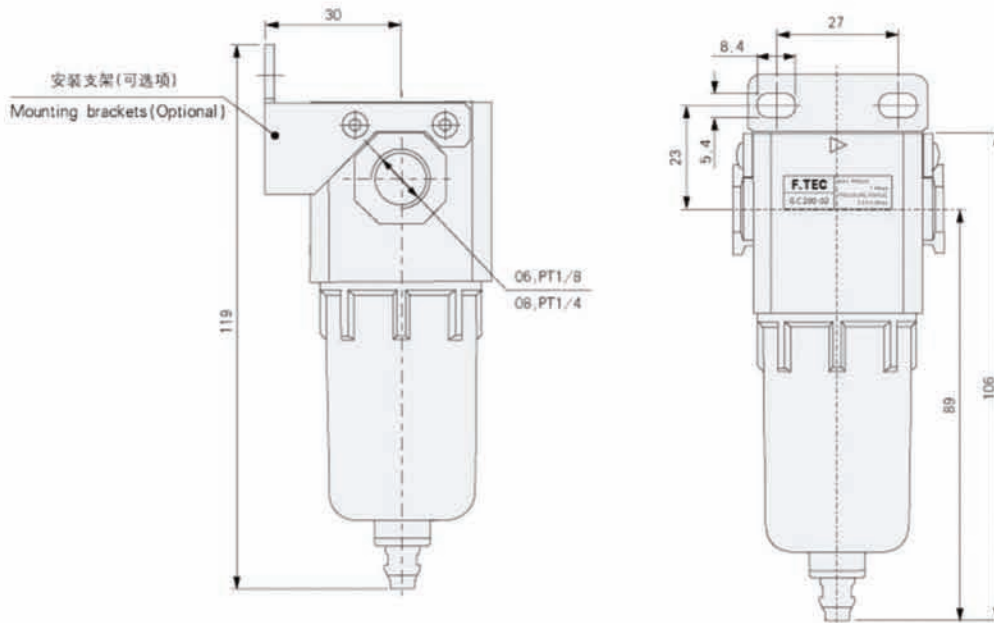


## GF系列/SERIES

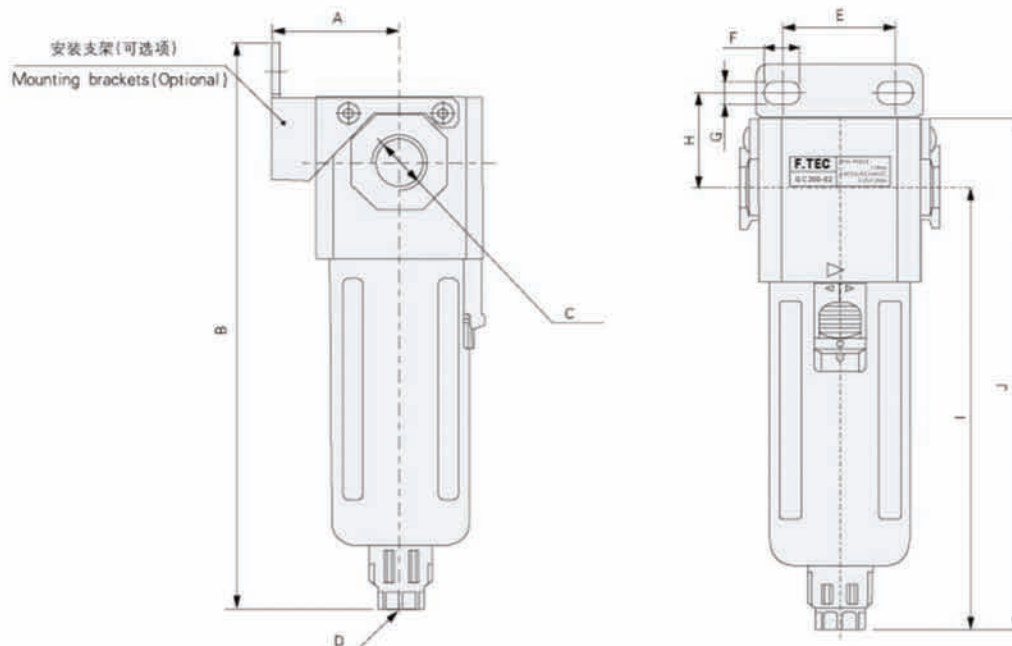
### 外部尺寸/Overall dimension

GF200



GF300

GF400



| 型号/符号 (Model/Code) | A  | B   | C     | D    | E  | F  | G   | H    | I     | J     |
|--------------------|----|-----|-------|------|----|----|-----|------|-------|-------|
| GF 300-08          | 41 | 182 | PT1/4 | G1/8 | 40 | 8  | 6.5 | 27   | 143   | 164   |
| GF 300-10          | 41 | 182 | PT3/8 | G1/8 | 40 | 8  | 6.5 | 27   | 143   | 164   |
| GF 300-15          | 41 | 182 | PT1/2 | G1/8 | 40 | 8  | 6.5 | 27   | 143   | 164   |
| GF 400-10          | 50 | 208 | PT3/8 | G1/4 | 55 | 11 | 8.5 | 33.5 | 166.5 | 191.5 |
| GF 400-15          | 50 | 208 | PT1/2 | G1/4 | 55 | 11 | 8.5 | 33.5 | 166.5 | 191.5 |