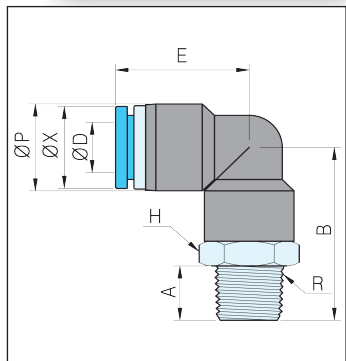


PL series

L型螺纹三通



| 型号 | ØD | R (Thread) | ØP | A | B | E | H | ØX | Q'TY/BOX |
|--------|-------|------------|------|------|------|------|----|----|----------|
| PL04M5 | 4 | M5 | 11 | 3.5 | 21 | 18.7 | 10 | 10 | 100 |
| PL0401 | | Rc1/8 | 11 | 6.5 | 23.5 | 18.7 | 10 | 10 | 100 |
| PL0402 | | Rc1/4 | 11 | 8 | 26.7 | 18.7 | 14 | 10 | 100 |
| PL06M5 | 6 | M5 | 13.1 | 3.5 | 23.2 | 20 | 12 | 12 | 100 |
| PL0601 | | Rc1/8 | 13.1 | 7 | 24.4 | 20 | 12 | 12 | 100 |
| PL0602 | | Rc1/4 | 13.1 | 9 | 28 | 20 | 14 | 12 | 100 |
| PL0603 | | Rc3/8 | 13.1 | 9 | 28.5 | 20 | 17 | 12 | 50 |
| PL0604 | Rc1/2 | 13.1 | 12 | 32.5 | 20 | 21 | 12 | 50 | |
| PL0801 | 8 | Rc1/8 | 15.2 | 7.7 | 25 | 24 | 12 | 14 | 50 |
| PL0802 | | Rc1/4 | 15.2 | 10 | 27 | 23.5 | 14 | 14 | 50 |
| PL0803 | | Rc3/8 | 15.2 | 10.8 | 32 | 28 | 17 | 14 | 50 |
| PL0804 | | Rc1/2 | 15.2 | 12 | 29.5 | 24 | 21 | 14 | 50 |
| PL1001 | 10 | Rc1/8 | 18.3 | 7 | 32 | 28 | 17 | 17 | 25 |
| PL1002 | | Rc1/4 | 18.3 | 9 | 34 | 28 | 17 | 17 | 25 |
| PL1003 | | Rc3/8 | 18.3 | 10 | 33 | 28 | 17 | 17 | 25 |
| PL1004 | | Rc1/2 | 18.3 | 12 | 36.3 | 28 | 21 | 17 | 25 |
| PL1202 | 12 | Rc1/4 | 21 | 9 | 34.2 | 29.8 | 17 | 20 | 25 |
| PL1203 | | Rc3/8 | 21 | 10 | 35.8 | 29.8 | 17 | 20 | 25 |
| PL1204 | | Rc1/2 | 21 | 12 | 39 | 29.8 | 21 | 20 | 25 |