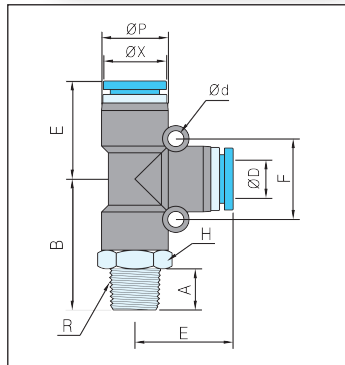


PST series

T型分支螺纹三通



型号	ØD	R (Thread)	ØP	A	B	Ød	F	E	H	ØX	Q'TY/BOX
PST04M5	4	M5	11	4.6	21.1	3.2	14	18.5	10	10	100
PST0401		Rc1/8	11	7	24.3	3.2	14	18.5	10	10	50
PST0402		Rc1/4	11	8.5	27.3	3.2	14	18.5	14	10	50
PST06M5	6	M5	13.3	3.5	24	3.2	16	19	12	12	50
PST0601		Rc1/8	13.3	7	26	3.2	16	19	12	12	50
PST0602		Rc1/4	13.3	9	28.1	3.2	16	19	14	12	50
PST0603		Rc3/8	13.3	10	29.5	3.2	16	19	17	12	50
PST0604		Rc1/2	13.3	11	32.8	3.2	16	19	21	12	25
PST0801	8	Rc1/8	14.9	7	29	3.2	18	22.3	14	14	50
PST0802		Rc1/4	14.9	9	31	3.2	18	22.3	14	14	50
PST0803		Rc3/8	14.9	10	32.7	3.2	18	22.3	17	14	50
PST0804		Rc1/2	14.9	12	35.9	3.2	18	22.3	21	14	25
PST1001	10	Rc1/8	18.6	7	34.5	4.2	24	28	17	17	25
PST1002		Rc1/4	18.6	9	36.2	4.2	24	28	17	17	25
PST1003		Rc3/8	18.6	10	37.4	4.2	24	28	17	17	25
PST1004		Rc1/2	18.6	13.5	40.6	4.2	24	28	21	17	25
PST1202	12	Rc1/4	21.3	9	39	4.2	27	29	21	20	20
PST1203		Rc3/8	21.3	10	39.5	4.2	27	29	21	20	20
PST1204		Rc1/2	21.3	13	42.2	4.2	27	29	21	20	20