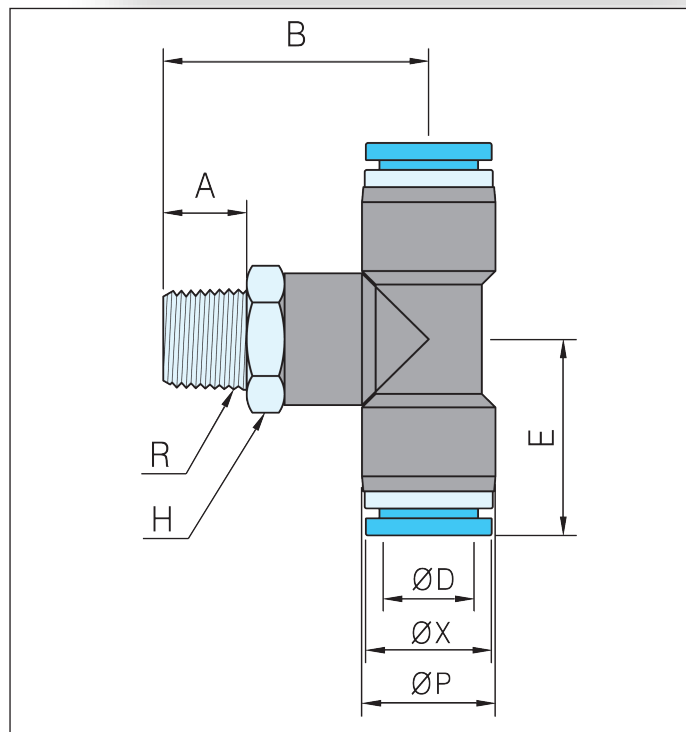


PT series

T型螺纹三通



型号	∅D	R (Thread)	∅P	A	B	E	H	∅X	Q'TY/BOX
PT04M5	4	M5	11.2	3.5	21.3	18.5	10	10	100
PT0401		Rc1/8	11.2	7	23.1	18.5	10	10	100
PT0402		Rc1/4	11.2	9.1	27.2	18.5	14	10	100
PT0403		Rc1/4	11.2	10	28.6	18.5	17	10	50
PT06M5	6	M5	13.2	5	23.3	19	12	12	50
PT0601		Rc1/8	13.2	7.1	25	19	12	12	50
PT0602		Rc1/4	13.2	8.3	29	19	14	12	50
PT0603		Rc3/8	13.2	10	30	19	17	12	50
PT0604		Rc1/2	13.2	12	32.5	19	21	12	25
PT0801	8	Rc1/8	14.6	7.1	25.5	21.4	12	14	50
PT0802		Rc1/4	14.6	9.1	29	21.4	14	14	50
PT0803		Rc3/8	14.6	10	30.5	21.4	17	14	50
PT0804		Rc1/2	14.6	13	33.7	21.4	21	14	25
PT1001	10	Rc1/8	18.5	6.7	32	27.2	17	17	25
PT1002		Rc1/4	18.5	9.1	34	27.2	17	17	25
PT1003		Rc3/8	18.5	10.3	34.5	27.2	17	17	25
PT1004		Rc1/2	18.5	11.4	39	27.2	21	17	25
PT1202	12	Rc1/4	21.3	7.6	34.2	28	17	20	25
PT1203		Rc3/8	21.3	10	36	28	17	20	25
PT1204		Rc1/2	21.3	13	39	28	21	20	20